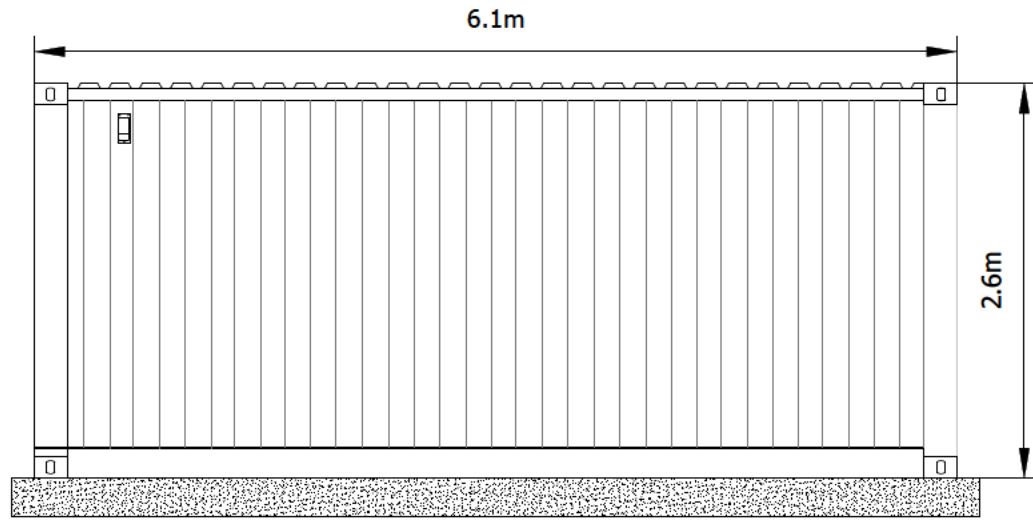
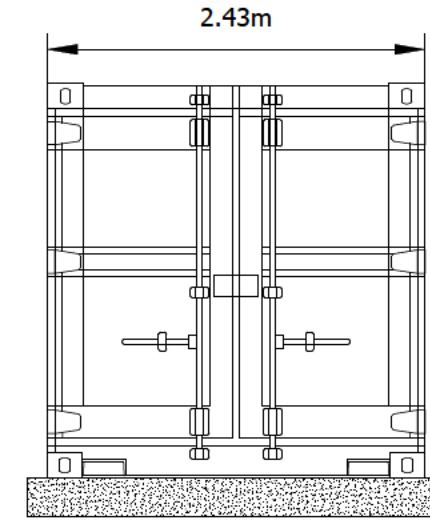


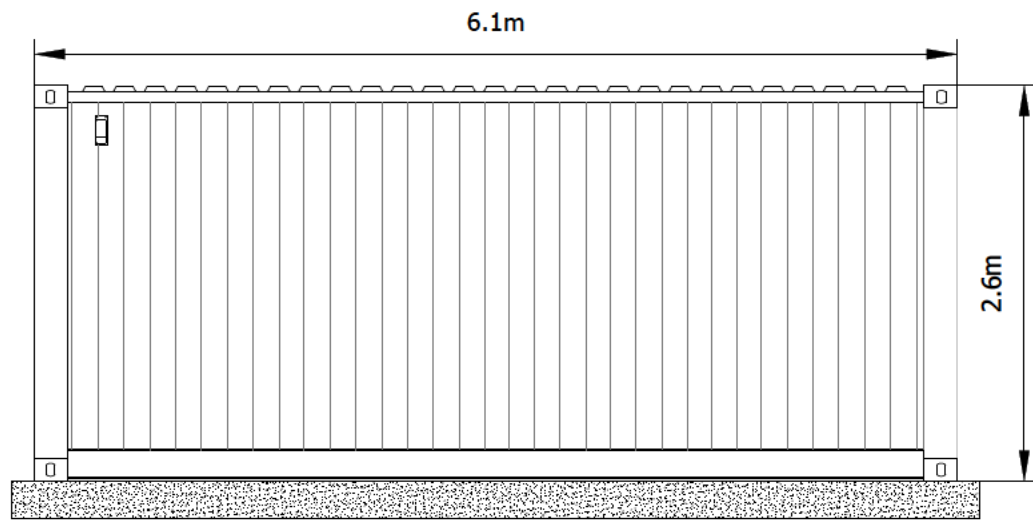
TYPICAL EXAMPLE OF TEMPORARY STORAGE CABIN TO BE USED IN LAYDOWN AREAS



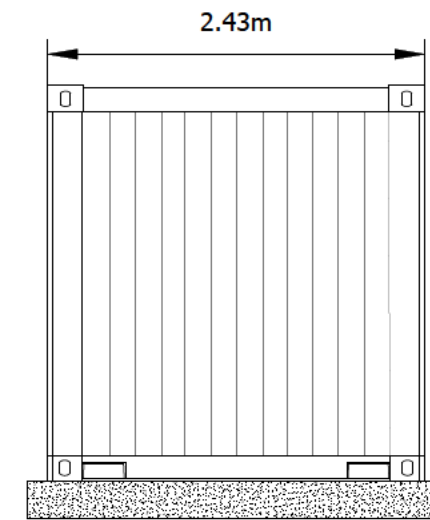
FRONT ELEVATION



END ELEVATION



REAR ELEVATION



END ELEVATION

FOR ILLUSTRATION PURPOSES ONLY



LEGEND



NOTES

This drawing is to be read in conjunction with all other relevant documentation.

All dimensions, changes, levels, and coordinates are in metres unless defined otherwise.

This drawing is to be read in conjunction with the project health & safety file for any identified potential risks.

The drawing is the copyright of Arcus and cannot be reproduced in any form without the express consent of the company. Written and scaled dimensions to be checked on site, and any discrepancies should be reported to Arcus prior to work commencing on Site.

Reproduced from Ordnance Survey digital map data © Crown copyright 2022. All rights reserved. License number 100048606.

ISSUE PURPOSE

Environmental Statement
APFP Regulation: 5(2)(a)

PINS REFERENCE NUMBER

EN010118

FIGURE TITLE

Storage Container Elevations

FIGURE NUMBER

Figure 2-16